



DOCK'N'LOCK™

POSITIONING TECHNOLOGY

Freedom Lifts are the only products on the market that feature the **patented self-guiding** (automatic or mechanical*) **Dock'N'Lock™ Docking Systems**.

It's as simple as mounting a docking plow to the bottom of your mobility product. Once installed, when you drive or walk your power chair (or scooter) onto the lift platform, it automatically locks itself into position using the Dock'N'Lock "spring-clamp" locking system. The Tracker Series features the powered automatic Dock'N'Lock for use with both power chairs and some scooters. **Both methods are the fastest, safest, and most secure docking methods available in the industry today.**

(Available on the Tracker™, Tracker XT™ and Car-Go-Mate™ 350-P.)

**The mechanical system is for use on power chairs only, shown above on the CGM-350P hitch-mounted lift.*

When you choose a Freedom Lift product, you receive the best your money can buy. Freedom lifts are engineered and designed with **exclusive patented features** that provide safety, security, and are fast and easy to use. Every product is **Made in the USA** and backed by our **Limited Lifetime Warranty** – **the best offered in the industry!**

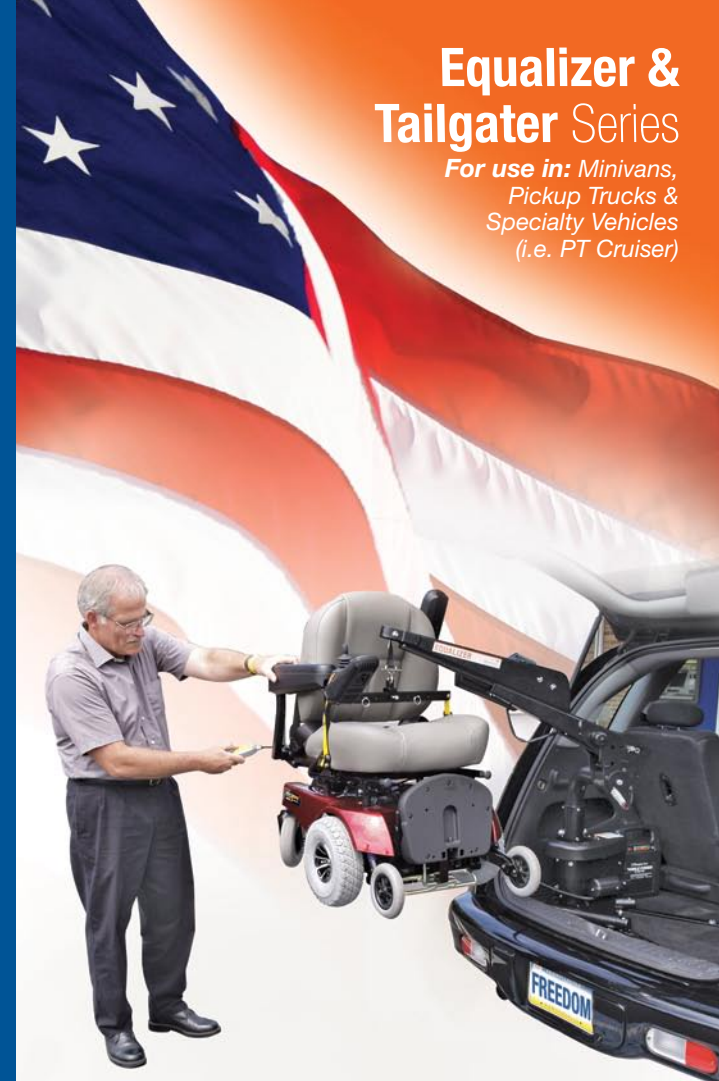
Freedom Lift products will make your life easier while you're enjoying a whole new level of independence.



North 2nd Street | P.O. Box 129 | Green Lane, PA
1.800.755.2856 | www.freedom-lift.com

Equalizer & Tailgater Series

*For use in: Minivans,
Pickup Trucks &
Specialty Vehicles
(i.e. PT Cruiser)*



**Engineered for Endurance.
Designed for Freedom.**

Manual & Power Rotation Lifts



We Make Mobility Products Mobile

About the Equalizer Series

The **Equalizer** and **Tailgater** Lifts are the **most adjustable and versatile lifts on the market today**. Both offer innovative features that are safe, efficient and will improve your quality of transportation.

The the **patented action base** enables the Equalizer to lift a variety of power wheelchairs and scooters, including those weighing in excess of 400 lbs. The adjustability in the action base makes installation simple as it fits into spaces not reachable by other lift manufacturers. With numerous mounting locations around the main base and swivel adjustable outrigger legs, complex interiors including those with in-floor seating storage are easy to work around.



The **patented "Strap Saver" Gimbal Roller** eliminates strap wear points for **increased strap life and safety**. The concave design of the Gimbal Roller **ensures proper spooling of the**



Equalizer™ 3

Equalizer 3 axis shown fitting a Pride 1113ATS into a Chrysler PT Cruiser. EQ-03-40-WP-12



strap, even on surfaces that are uneven, and naturally **keeps strap from folding or twisting.**

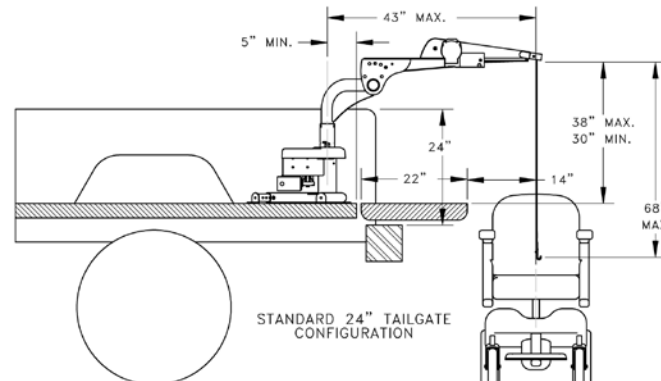
About the Tailgater Series



Tailgater

Tailgater shown lifting a Golden Companion 2 into a Ford 150 pickup truck. 250 & 400 lb. Lifting Capacities TG-40-12

If you are looking for the most versatile lift for your pickup truck, the Tailgater is the perfect solution. The 12" powered boom extension and dual offset column allows you to load or unload your power chair or scooter over a standard 24" tailgate onto the curb beside your vehicle.



Features

- Equalizer can be re-installed in future vehicles & upgraded as needed
- Equalizer **fits 99% of the vehicles**
- Quieter
- Lower power consumption
- Limited Lifetime Warranty
- 250 lb. & 400 lb. lifting capacities available
- Bariatric Upgrade Kit available for capacities over 400 lbs.
- Manual rotation release in case of power failure
- Comes standard with **two wireless remote control key chains** and **one hand-held pendant**

"This is the last inside lift you will ever buy!"

Vehicle Specifications Equalizer (EQ) & Tailgater (TG) Series

	EQ 1	EQ 2	EQ 3	TG
	EQ-01-25-WP-12	EQ-02-25-WP-12	EQ-03-25-WP-12	TG-25-12
	EQ-01-40-WP-12	EQ-02-40-WP-12	EQ-03-40-WP-12	TG-40-12
Unit Weight	92.5 lbs.	111 lbs.	114 lbs.	116 lbs.
Shipping Weight	101 lbs.	130 lbs.	133 lbs.	135 lbs.
Lifting Capacity	All Equalizer & Tailgater Lifts available with 250 & 400 lb. capacity			
Maximum Lifting Height at Horizontal Boom Position	39"	39"	39"	42"
Minimum Lifting Height at Horizontal Boom Position	30"	30"	31"	34"
Range of Boom Adjustment (Minimum to Maximum Measurement)	Equalizer 1 & 2: 24.75" to 37" Equalizer 3 & Tailgater: 24.75" to 36.75"			



Every product is **Made in the USA** and backed by our **Limited Lifetime Warranty – the best offered in the industry!**